

Ice-O-Matic®

EF250 - Self Contained Flake Ice Maker



EF250

Features

- Produces up to 400 lbs (182 kg) of ice per day.
- Constructed with a rugged stainless steel transport system enclosed in polyurethane insulation.
- Removes excess water by pushing the flaked ice through an extrusion process—the result is high quality flaked ice which is ideal for medical, supermarket or restaurant applications.
- Constructed from sturdy, corrosion-resistant stainless steel.
- Filter Free Air -No air filter to change.

Options & Accessories

Ice Machine Model	Water Filters		
	Manifold		Inline
	System	Replacement	System
EF250	IFQ1	IOMQ (1)	IFI4C / IFI8C

Ice Maker Warranty

Every Ice-O-Matic ice maker is backed by a warranty that provides both parts and labor coverage.

Parts & Labor

- Two years **Parts and Labor**.
- Five years **Parts** coverage on the compressor

Ice Form



Space-Saving Solutions

- Self-contained insulated storage available in 143 lbs (65 kg) or 213 lbs (97 kg).
- Your choice of 32" (813 mm) or 38" (965 mm) wide cabinets.
- Ultra low profile - 41" (1041mm) tall
- Air intake on only 1 side



11100 E. 45th Avenue
Denver, CO 80239

Phone: 1. 866. PURE. ICE
Fax: 303. 371.6296
www.iceomatic.com

Rev: A-2/09
Part: 2000

EF250 Self Contained Flake Ice Maker

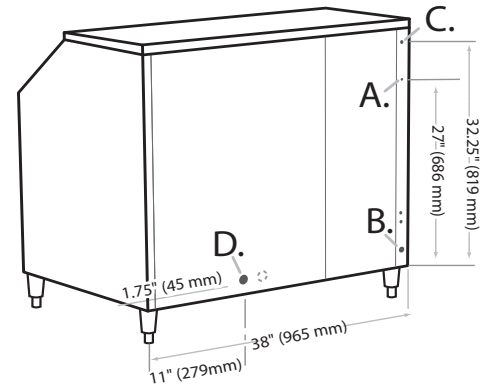
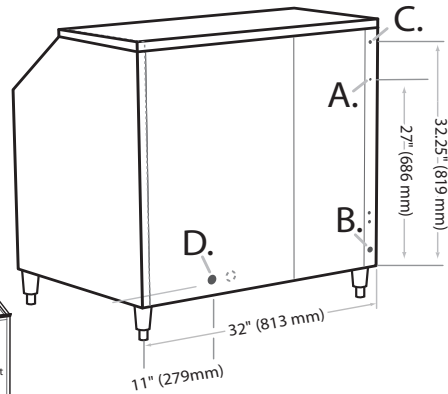
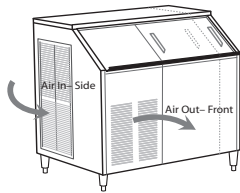
Ice-O-Matic

EF250 Self Contained Flake Ice Maker

Air Cooled

Please note: air-cooled units require 6" (152 mm) clearance for air intake and exhaust.

- A. Ice maker potable water in, $\frac{3}{8}$ " FPT.
- B. Drain, $\frac{1}{2}$ " i.d. plastic tubing.
- C. Hole for electrical connections.
- D. $\frac{3}{4}$ " Bin Drain



Rear View

Operating Requirements

	Minimum	Maximum
Ambient Temp. Range Air	50°F (10°C)	110°F (43°C)
Water Temp.	40°F (4.4°C)	100°F (38°C)
Water Pressure	20 PSIG (1.4 BAR)	60 PSIG (4.1 BAR)

Dimensions

Models	Size	
	W x D x H (inches)	W x D x H (mm)
EF250A32S	32" x 28" x 41"	813 mm x 711 mm x 1,041 mm
EF250A38S	38" x 28" x 41"	965 mm x 711 mm x 1,041 mm

Specifications

Model Number	Cabinet Width inch (mm)	Bin Size lbs (kg)	Cond. Unit	Ice Production per 24hrs		Water Usage gallons per 100 lbs of ice @ 90°F air/ 70°F water	kWH Used per 100 lbs of ice @ 90°F air/ 70°F water	Voltage Characteristics	Min. Circuit Ampacity	Fuse Size	Approx. BTUs per hour
				70°F air/ 50°F water lbs (kg)	90°F air/ 70°F water lbs (kg)						
EF250A32S	32 (813)	143 (65)	Air	400 (182)	319 (145)	12	5.6	115/60/1	12.4	15	4,233
EF250A38S	38 (965)	213 (97)	Air	400 (182)	319 (145)	12	5.6	115/60/1	12.4	15	4,233

NOTES:

Number of Wires: 3 (including ground)
 Approx. Shipping Weight lbs (kg): EF250A32S 240 (109) • EF250A38S 250 (114)
 Refrigerant Type: R404A

11100 E. 45th Avenue
 Denver, CO 80239

Phone: 1. 866. PURE. ICE
 Fax: 303. 371.6296
www.iceomatic.com

Rev: A-02/09
 Part: 2000

Ice-O-Matic®

Water Filters



Features

- Water filter systems specifically designed for ice machines
- 1 Micron filter - removes sediment, scale and chlorine with minimal water flow restriction
- All IFQ Series filter systems are equipped with quick twist-connect fittings for fast, easy replacement
- IFQ systems utilize IsoNet™ to provide protection against corrosion and lime-scale formation

IFQSeries Filter System

Model Number	Description	Max.Cube ICE Maker Capac- ity lbs (kg) Per Day	Flow Rate Max. gpm	Pressure Max. psi	Max. Operating Temp F°(C°)	Micron Rating	Approx. Shipping Weight lbs (kg)
IFQ1	Single Filter	1000 (454.4)	1.5	125	100 (38)	1	4 (1.8)
IFQ2	Dual Filter	2400 (1090.6)	3.0	125	100 (38)	1	8 (3.6)

Single Inline Filter Cartridges

Model Number	Description	Max.Cube ICE Maker Capac- ity lbs (kg) Per Day	Flow Rate Max. gpm	Pressure Max. psi	Max. Operating Temp F°(C°)	Micron Rating	Approx. Shipping Weight lbs (kg)
IF14C	Single Inline Cartridge 1/4" compression	600 (272)	1.0	100	100 (38)	1.0	2 (.9)
IF18C	Single Inline Cartridge 3/8" compression	600 (272)	1.0	100	100 (38)	1.0	2 (.9)



Water Filters

11100 E. 45th Avenue
Denver, CO 80239

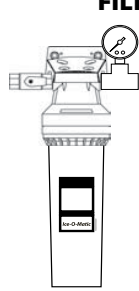
Phone: 1. 866. PURE. ICE
Fax: 303. 371.6296
www.iceomatic.com

Rev: A-02/09
Part: 5000

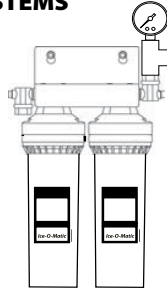
Ice-O-Matic®

Water Filters

IFQ Series FILTER SYSTEMS

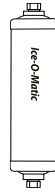


IFQ1
15"H × 6"W × 4"D
(381 × 152 × 102 mm)



IFQ2
16"H × 10"W × 6"D
(406 × 254 × 102 mm)

SINGLE INLINE FILTER



IFI4C, IFI8C
11" × 2.5"
(279 × 57 mm)

REPLACEMENT FILTER CARTRIDGES



IOMQ
12.75" × 4"
(324 × 102 mm)

All filter systems include: filter cartridge with FDA approved scale inhibitor, inlet shut-off valve, gauge, and quick-connect fittings.

*IOMQ replacement cartridges for use with IFQ1 & IFQ2 manifold filter systems.

Filter Sizing Chart			
Ice-O-Matic Cube Ice Maker	Ice-O-Matic Flake Ice Maker	Ice-O-Matic Pearl Ice Maker	Recommended Ice-O-Matic Water Filter
ICEU070, 150, 220, 226, 300, ICE0250, 0320, 0400, ICE0406, 0500, 0520, 0606	EMF450, EF250, EF450		IFQ1 (Single Manifold cartridge Filter System) IFI4C or IFI8C (Single inline Filter System)
ICE0806	EMF800, EF800	GEM0650, 0956	IFQ1 (Single Manifold cartridge Filter System)
ICE1006, 1406, 1506, ICE 1806, 2106	EMF1106, EMF2306	GEM1256, GEM1856	IFQ2 (Dual Manifold cartridge Filter System)

Extended Warranty Program

- Buy a new Ice-O-Matic Water Filter System with a new ICE Series™ Cube ice maker, replace the filter cartridge every 6 months, and Ice-O-Matic will extend the limited cuber evaporator warranty to 7 years parts and labor (USA and Canada only).
- New ICE maker and filter must be installed at the same time.
- Ice maker and water filter registration cards must be sent to Ice-O-Matic within 10 days of installation. Water filter warranty card must include the filter serial number(s).
- An additional registration card must be sent in for each new filter installed (filters have individual serial numbers). This must be done every 180 days (6 months) or less.
- Program is available with all Ice-O-Matic water filter systems.
- Replacement filter must be Ice-O-Matic models.

11100 E. 45th Avenue
Denver, CO 80239

Phone: 1.866.PURE.ICE
Fax: 303.371.6296
www.iceomatic.com

Rev: A-02/09
Part: 5000